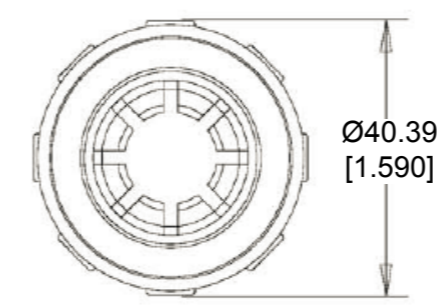
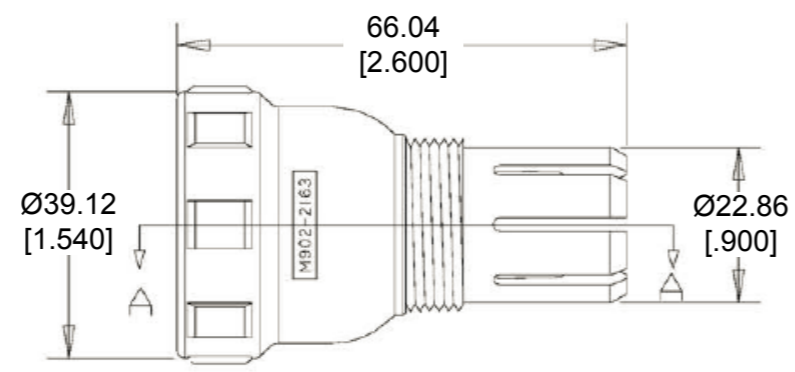
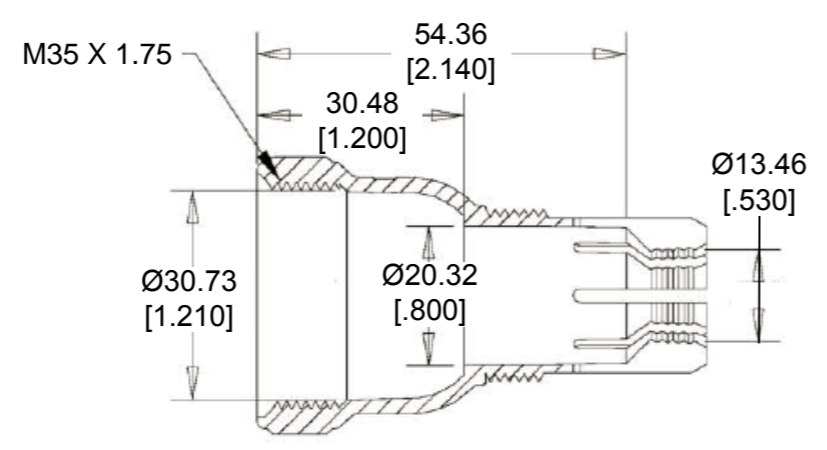


REVISIONS				
P	LTR	DESCRIPTION	DATE	APVD
A		NEW RELEASE PER ECO-14-013596	09-05-14	DM DM



Backshell

Compression Nut



SECTION A-A

- 6. PART NO. M902-2243
- 5. CABLE STRIPPED LENGTH: 63.50 [2.500] MAX.
- 4. CABLE SIZE: Ø.430 - Ø.570
- 3. TEMPERATURE RATING: -40°C TO +134°C [-40°F TO +273°F]
- 2. THIS PART IS USED WITH:
COMPRESSION NUT, M902-2053
- 1. THIS PART IS USED ON
HDP24-18-XXX-L015 RECEPTACLES
HDP26-18-XXX-L015 PLUGS
HDP24-24-XXX-L015 RECEPTALCES
HDP26-24-XXX-L015 PLUGS
SEE INVIDUAL CUSTOMER DRAWINGS

THIS DRAWING IS A CONTROLLED DOCUMENT.		DWN D. MEYER 05SEP2014		
DIMENSIONS: MM [INCH]		CHK I. GRANTCHAROVA 05SEP2014		
TOLERANCES UNLESS OTHERWISE SPECIFIED:		APVD D. MEYER 05SEP2014	NAME BACKSHELL, SIZE 18, 24 -L015 MOD CABLE SIZE: Ø.430 - Ø.570 HDP20 SERIES	
		PRODUCT SPEC	RESTRICTED TO	
MATERIAL PC/PBT		APPLICATION SPEC	SIZE A3	CAGE CODE 4AFU8
FINISH BLACK		WEIGHT 20.50 g	DRAWING NO. M902-2243	
		Customer Drawing	SCALE NONE	SHEET 1 OF 1 REV A